

HD Elite

Wheel Balancer

HUNTER
Engineering Company

SPECIFICATIONS



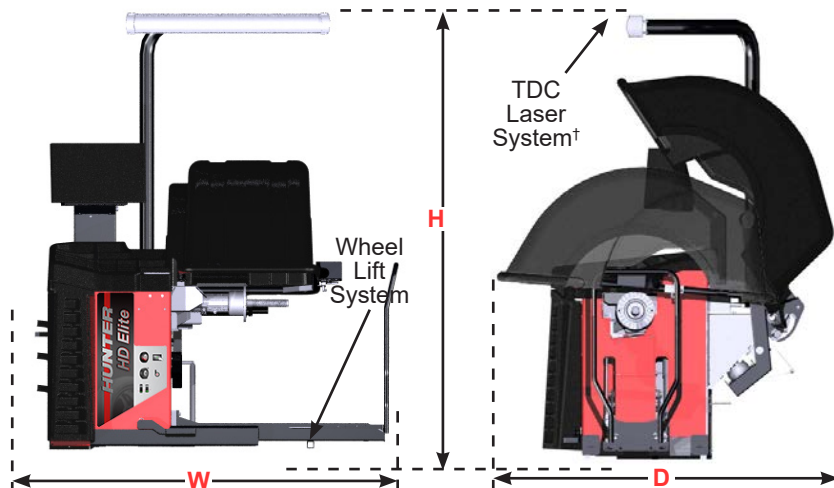
HDE33 Shown

Power Requirements	196-253V, 10 amp, 50/60 Hz, 1 ph NEMA L6-20P plug included
Air Supply Requirements	100-175 psi (7-12 bar)
Approximate Air Consumption:	4 CFM (110 Liters/Minute)
Rim Width Range	1.5 in to 19.5 in (38 mm to 495 mm)*
Rim Diameter Range	10 in to 30 in (254 mm to 762 mm)*
ALU	7.5 in to 38 in (191 mm to 965 mm)*
Max. Tire Diameter	52 in (1321 mm)
Max. Tire Width	25 in (495 mm)
Max. Tire Weight	500 lbs (227 kg)
Min. tire diameter for roller application	26 in (660 mm)
Imbalance Resolution	± 0.05 oz (1.0 g)
Placement Accuracy	512 positions, ± 0.35°
Balancing Speed	100 rpm
Motor	Programmable drive system and DC motor

* Extreme wheel sizes may require manual data entry.

MODEL FEATURES / DIMENSIONS

	HDE33	HDE32	HDE31	HDE30	HDE13	HDE12	HDE11	HDE10
Diagnostic Load Roller	✓	✓	✓	✓				
TDC Laser System†	✓	✓			✓	✓		
Ink Jet Print w/Storage	✓		✓		✓		✓	
Width (W)	75.75 in. 1924 mm	71 in. 1803 mm	75.75 in. 1924 mm	71 in. 1803 mm	75.75 in. 1924 mm	71 in. 1803 mm	75.75 in. 1924 mm	71 in. 1803 mm
Height (H)	88 in. 2223 mm	88 in. 2223 mm	80.5 in. 2045 mm	80.5 in. 2045 mm	88 in. 2223 mm	88 in. 2223 mm	80.5 in. 2045 mm	80.5 in. 2045 mm
Depth (D)	73.5 in. 1867 mm	73.5 in. 1867 mm	73.5 in. 1867 mm	73.5 in. 1867 mm	73.5 in. 1867 mm	73.5 in. 1867 mm	73.5 in. 1867 mm	73.5 in. 1867 mm
Weight	824 lb 374 kg	804 lb 365 kg	801 lb 363 kg	781 lb 354 kg	785 lb 356 kg	765 lb 347 kg	762 lb 346 kg	742 lb 337 kg



For balancer information visit:
www.hunter.com/wheel-balancers

For local contact visit:
www.hunter.com/contact-hunter

For general inquiries visit:
www.hunter.com
or call
800-448-6848

Because of continuing technological advancements, specifications, models and options are subject to change without notice.

The HD Elite Wheel Balancer is a Class 1 laser product.

† When equipped with the TDC system, the balancer is a Class 2M laser product.

⚠ LASER RADIATION - DO NOT STARE INTO THE BEAM OR VIEW DIRECTLY WITH OPTICAL INSTRUMENTS.
Viewing the laser output with magnifiers or related optical instruments within a distance of 100 mm from the laser aperture may pose an eye hazard

Form BS07767-00, 11-20c
Copyright © 2020, Hunter Engineering Company