

Quick Check Drive with Quick Tread Edge™ Flush Mounted



Quick Check Drive and Flush Mount Quick Tread Edge™
Installation

NOTE: "For more information, refer to detailed site requirements."

Site Specifications	
Power Requirements	115/230v, 15 amp ¹ 50/60 Hz 1 ph ¹
Air Supply Req. (SI Units)	90-150 PSI (6.2-10.3 bar)
Substructure Specifications	Refer to Form 7615-T
Min. Internet Speed w/ BDC	20 MBps down / 20 MBps up (Ethernet cable required)
Min. Internet Speed wo/ BDC	10 MBps down / 3 MBps up (Ethernet cable required)
Product Specifications	
Max. Wheel Weight	7000 lb. (3175 kg) per axle
Test Entry Speed	2 to 8 mph (3-13 km/h)
Shipping Weight	
Quick Check Cabinet (US/CAN)	WU572: 393 lb (179 kg), WU592: 161 lb (73 kg)
Quick Check Cabinet (Intern.)	WU570E:393 lb (179 kg) WU590E:161lb (73 kg)
Quick Check Drive	346 lbs (157 kg)
Quick Tread Edge™ Flush	1699 lbs (771 kg)

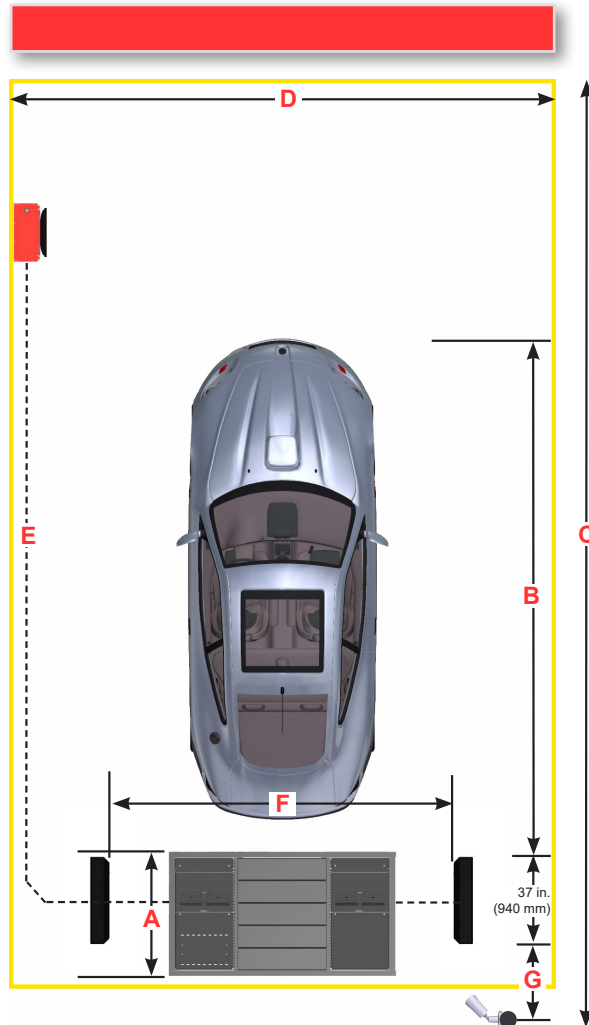
¹Amperage shown is minimal circuit rating.

¹Isolated ground recommended.

OVERALL FOOTPRINT

*Recommended site layout for flush-mounted Quick Tread Edge™ in-line with Quick Check Drive.

- A:** 55 in. (1307 mm) QTEF Footprint Length. QCD towers need positioned within QTEF.
- B:** 165 in (4191 mm) Typical Max Wheelbase.
- C:** 25 ft. (7620 mm) Total Typical Recommended Area Length (including short focal length camera).
- D:** 15 ft. (4572 mm) Recommended Bay Width.
- E:** 75 ft. (22860 mm) of communication cables connect console to Quick Tread pedestal. Add cable as necessary.
- F:** 126 - 156 in. (3200 - 3962 mm) Tower Spacing, face-to-face. Best spacing is dependent on shop's vehicle trends.
- G:** Distance from optional external camera to QCD Tower is dependent on many variables. See 7604-T for full details



Continued on Page 2

For inspection information visit:
www.hunter.com/vehicle-inspection/

For general inquiries visit:

www.hunter.com
or call
800 448-6848

For local contact visit:
<https://www.hunter.com/contact/>

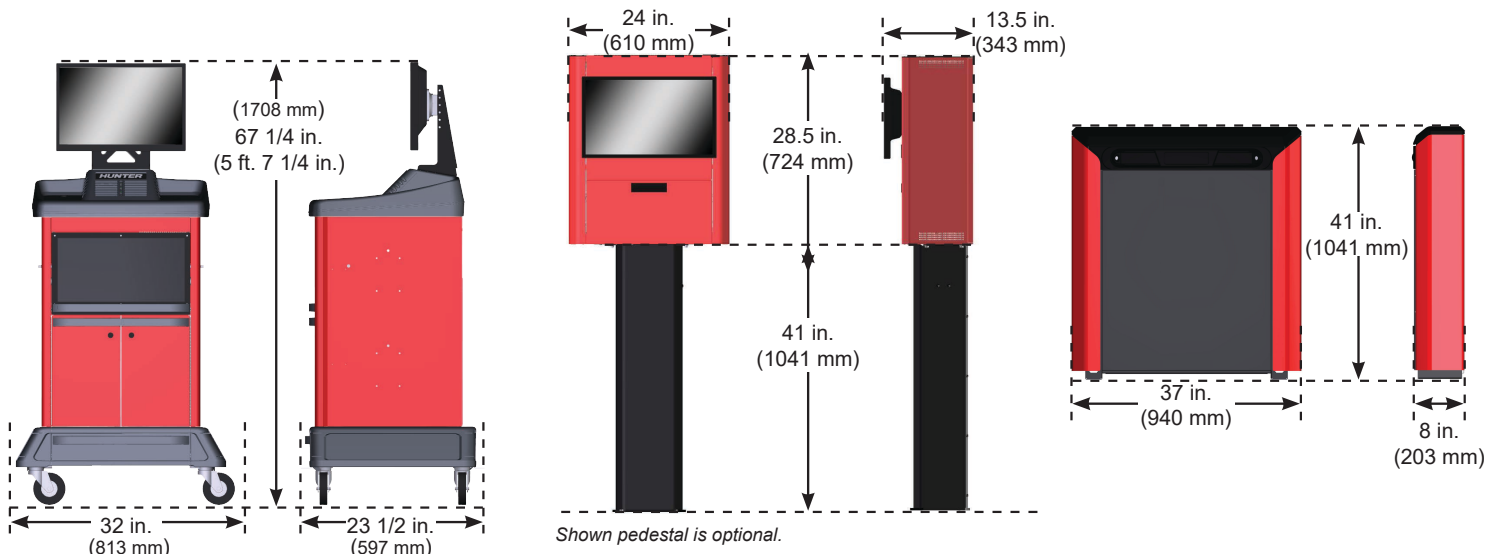
Form 7618-T, 09-23 Supersedes Form 7618-T, 12-21a
Copyright © 2019 - 2023, Hunter Engineering Company

Quick Check Drive with Quick Tread Edge™



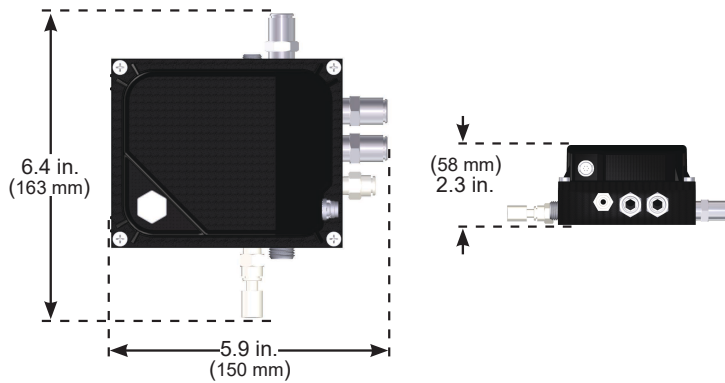
Flush Mounted

QUICK CHECK DRIVE DIMENSIONS

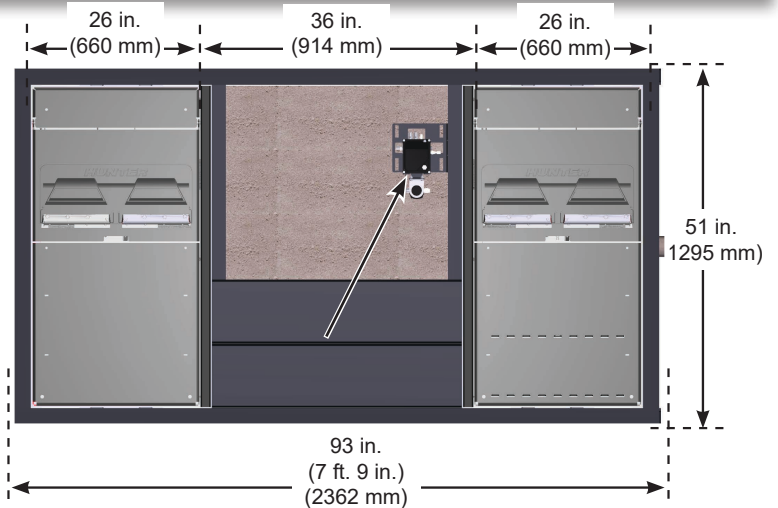


Quick Tread Edge™ DIMENSIONS

CONTROL BOX



Self-contained control box is not shown to scale.

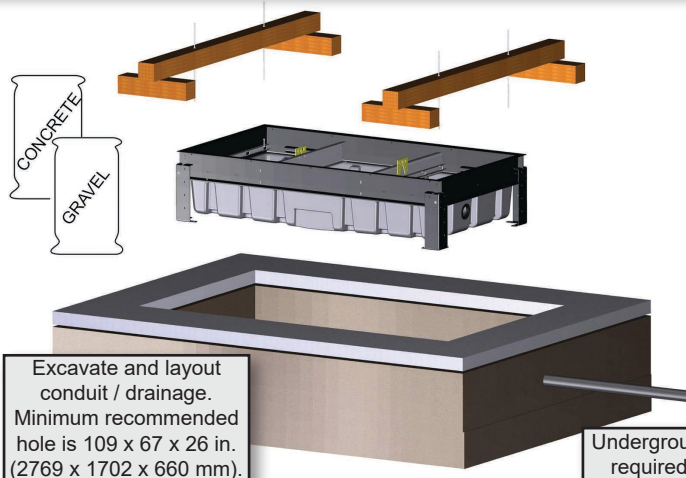


SUBSTRUCTURE SPECIFICATIONS

Recommend contacting local Hunter representative to verify installation prior to pouring concrete. Visit <https://www.hunter.com/contact/> or call 800-448-6848.

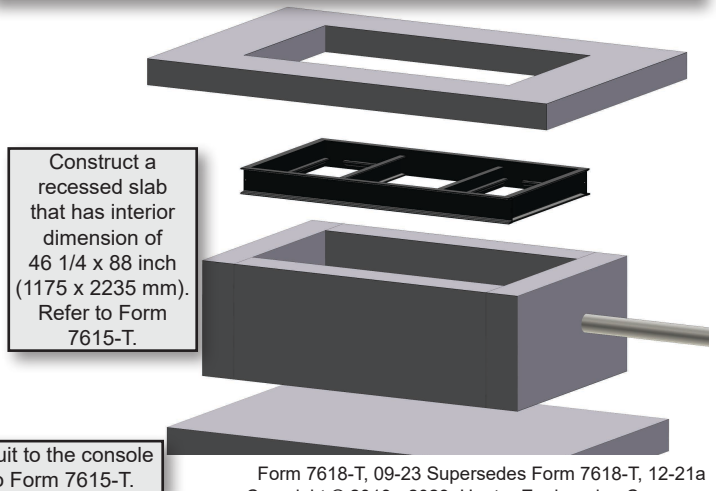
SINGLE POUR TUB METHOD

Frame and tub form is positioned on bed of gravel with drainage and conduit installed. Then finish by surrounding with concrete.



CONCRETE SUBSTRUCTURE METHOD

Frame is positioned and anchored on top of constructed recessed slab. Then finish by surrounding with concrete.



Quick Check Drive with Quick Tread Edge™

Flush Mounted (concrete sump installation - NO TUB)



Quick Check Drive and Flush Mount Quick Tread Edge™ Installation

NOTE: For more information, refer to detailed site requirements.

Site Specifications	
Power Requirements	115/230v, 15 amp* 50/60 Hz 1 ph ¹
Air Supply Req. (SI Units)	90-150 PSI (6.2-10.3 bar)
Substructure Specifications	Refer to Form 7615-T
Min. Internet Speed w/ BDC	20 MBps down / 20 MBps up (Ethernet cable required)
Min. Internet Speed wo/ BDC	10 MBps down / 3 MBps up (Ethernet cable required)
Product Specifications	
Max. Wheel Weight	7000 lb. (3175 kg) per axle
Test Entry Speed	2 to 8 mph (3-13 km/h)
Shipping Weight	
Quick Check Cabinet (US/CAN)	WU572: 393 lb (179 kg), WU592: 161 lb (73 kg)
Quick Check Cabinet (Intern.)	WU570E:393 lb (179 kg) WU590E:161lb (73 kg)
Quick Check Drive	346 lbs (157 kg)
Quick Tread Edge™ Flush	1699 lbs (771 kg)

* Amperage shown is minimal circuit rating.

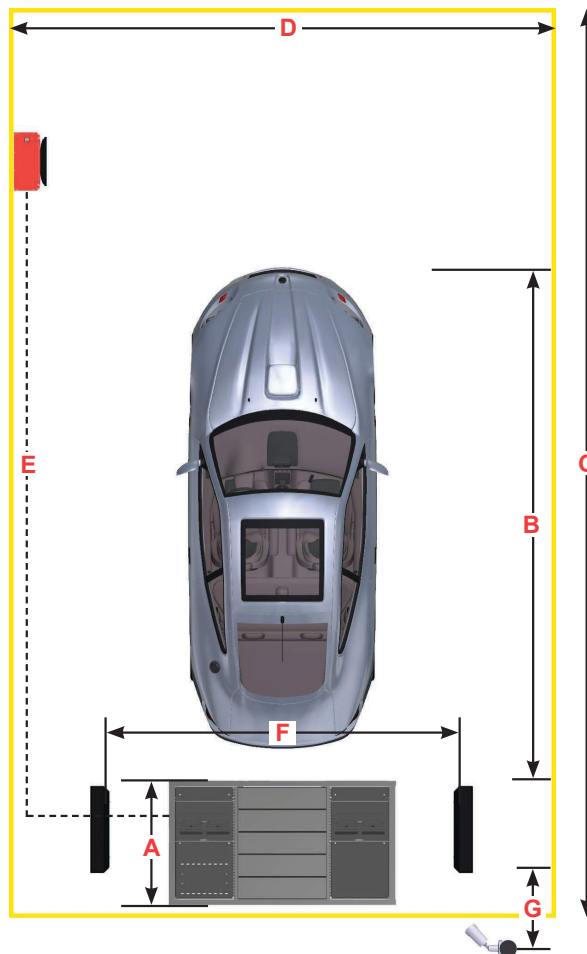
¹ Isolated ground recommended.

OVERALL FOOTPRINT

*Recommended site layout for flush-mounted Quick Tread Edge™ in-line with Quick Check Drive.

- A:** 51 in. / 130 cm. QTEF Footprint Length.
- B:** 165 in. / 420 cm. Typical Max Wheelbase.
- C:** 25 ft. / 7.6 m Total Typical Recommended Area Length (including short focal length camera).
- D:** 15 ft. / 4.6 m Recommended Bay Width.
- E:** 75 ft. / 23 m of communication cables connect console to Quick Tread pedestal. Add cable as necessary.
- F:** 126 - 156 in. (3200 - 3962 mm) Tower Spacing, face-to-face.
- G:** Distance from optional external camera to QCD Tower is dependent on many variables. See 7604-T for full details

ALIGN COMP BEFORE QT*



Continued on Page 2

For inspection information visit:
www.hunter.com/vehicle-inspection/

For general inquiries visit:

www.hunter.com
or call
800 448-6848

For local contact visit:

<https://www.hunter.com/contact/>

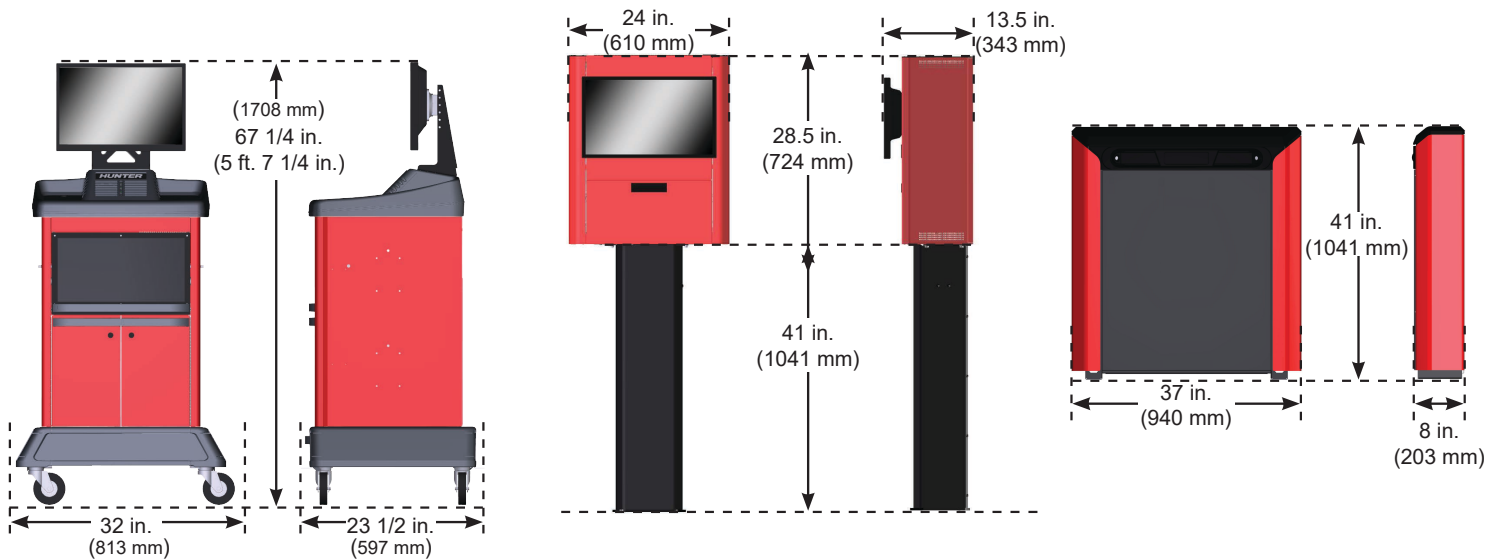
Form 7618-T, 09-23 Supersedes Form 7618-T, 12-21
Copyright © 2019 - 2023, Hunter Engineering Company

Quick Check Drive with Quick Tread Edge™



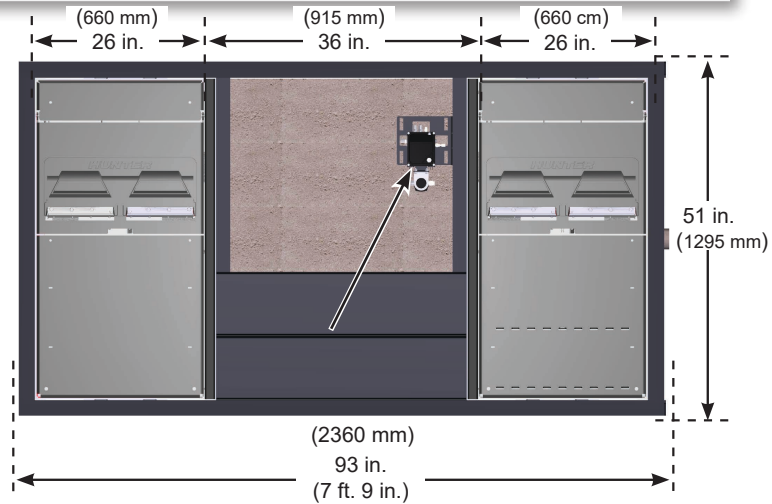
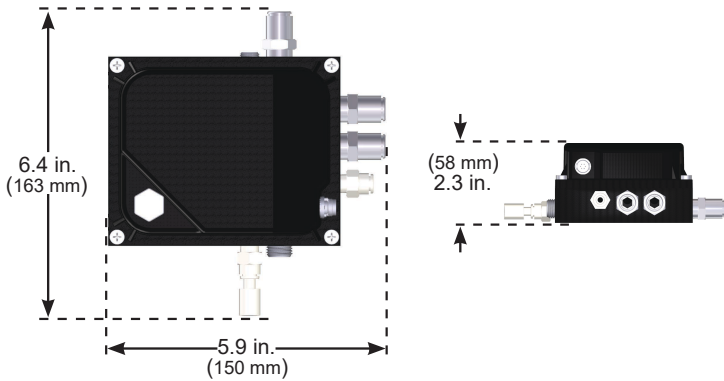
Flush Mounted

QUICK CHECK DRIVE DIMENSIONS



Quick Tread Edge™ DIMENSIONS

CONTROL BOX*



*A self-contained control box has replaced the pedestal. Not shown to scale.

PIT & CONDUIT SPECIFICATIONS

END VIEW

SIDE VIEW



QUICK TREAD:
HUNTER
SUPPLIED



QUICK TREAD
SUB-STRUCTURE:
CONTRACTOR
SUPPLIED



Quick Tread Edge™'s 3 in. (76 mm) underground conduit must be routed to the control box and console according to local codes. Conduit can enter the substructure through any of its walls. Exact placement of conduit will vary. Refer to Form 7615-T.

