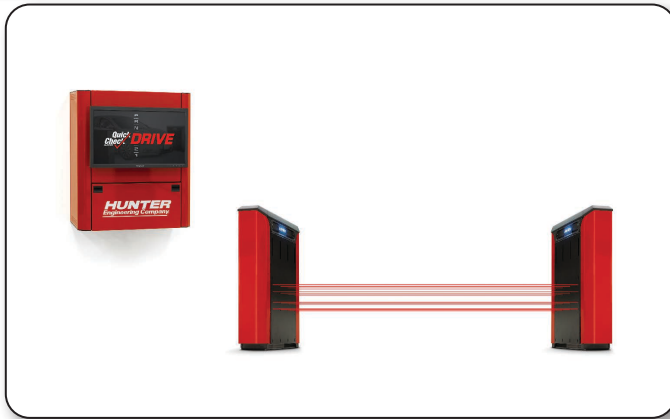


HARDWARE / SPECIFICATIONS / FEATURES



QCD92
(Pedestal Optional)



QCD72

HARDWARE

Power Requirements	115/230V, 15 amp*, 50/60 Hz, 1 ph †
Minimum Internet Speed with BDC	20 MBps download / 20 MBps upload (Ethernet cable required)
Minimum Internet Speed no BDC	10 MBps download / 3 MBps upload (Ethernet cable required)
Processor	3.7 Ghz Intel® Core™ i3
Memory	4 GB of DDR3 SDRAM
Hard Drive	250 GB Solid State Hard Drive (or greater)
DVD-RW/CD-RW Drive	Standard
Monitor Class	22 in. / Widescreen LCD (QCD92) touchscreen 24 in. Widescreen LCD (QCD72)
Operating System	Windows® 10 - 64 Bit
Unmanned Console	Standard
Printer (Optional)	HP Color Printer
Power Line Filter	Standard
Cable Length	75 ft. / 22 m per tower (Cat5e)

PRODUCTIVITY TOOLS

Hunter QuickCheck® Software	Standard
Vehicle Specifications (30+ years)	Standard - 2 Years Free Updates
Real-Time Specs Delivered by Web	WebSpecs®
HunterNet®	3 Years Free Access for 1 User
QC Alignment Printout	Fully Customizable
Body Damage Cameras	Hardware Standard - Requires HunterNet Code Activation
License to VIN Service (US & Canada Only)	Requires CARFAX EULA on File (US & Canada Only)

PRODUCT SPECIFICATIONS

Test Entry Speed	2 to 8 mph (3-13 kph)
Minimum Required Light Condition	600 Lux

*Amperage shown is minimal circuit rating. † Isolated Ground Recommended.

Continued on Reverse



For inspection information visit:
www.hunter.com/vehicle-inspection/

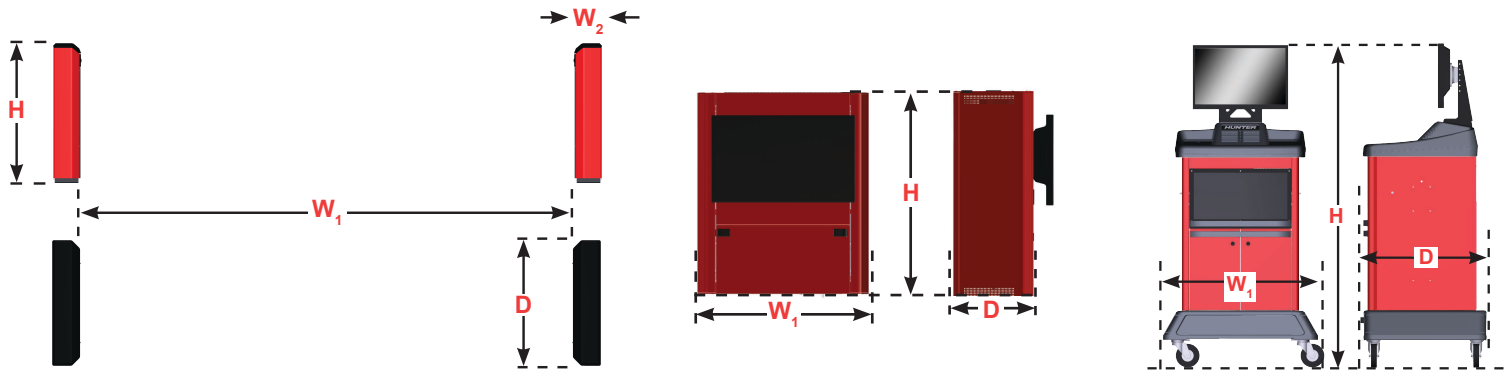
For local contact visit:
<https://www.hunter.com/contact/>

For general inquiries visit:
www.hunter.com or call **800-448-6848**

Because of continuing technological advancements, specifications, models and options are subject to change without notice.

Form 7560-T, 09-23 Supersedes Form 7560-T, 06-18j
Copyright © 2018-2023, Hunter Engineering Company

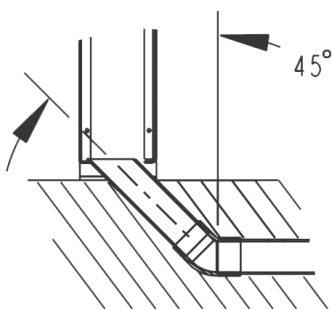
QCD DIMENSIONS



Domestic International	QCD Sensors	WU592 Cabinet WU590E Cabinet	WU572 Cabinet WU570E Cabinet
Width 1 (W_1)	126 in. - 156 in. 3200 mm - 3962 mm	24 in. 610 mm	32 in. 813 mm
Width 1 (W_1) Medium Duty Hybrid	144 in. - 168 in. 3658 mm - 4267 mm	24 in. 610 mm	32 in. 813 mm
Width 2 (W_2)	8 in. (203mm)	-	-
Height (H)	41 in. 1041 mm	28.5 in. 724 mm	65 - 68 in. 1651 - 1727 mm
Height w/ optional pedestal	-	69.5 in. 1765 mm	-
Depth (D)	37 in. 940 mm	13.5 in. 343 mm	23.5 in. 597 mm
Shipping Weight	140 lbs (per tower) 64 kg	155 lbs. 70 kg	290 lbs. 132 kg

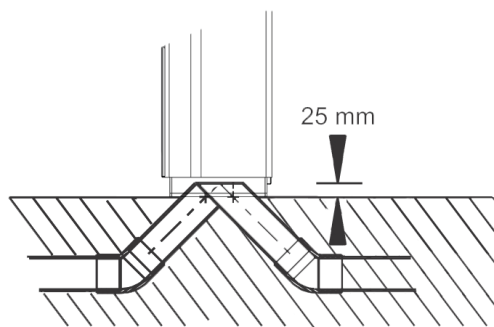
OPTIONAL IN-GROUND CONDUIT SPECIFICATIONS

PEDESTAL



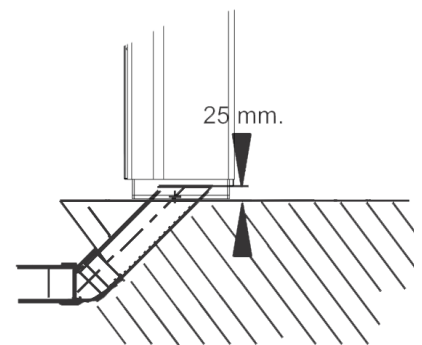
ROUTE 51 MM MIN. DIAMETER CONDUITS (OR EQUIVALENT CLOSED CHANNEL) AS SHOWN.

TOWER ONE



ROUTE CONDUIT FROM CONSOLE TO FIRST TOWER. ROUTE A SECOND CONDUIT FROM FIRST TOWER TO SECOND TOWER.

TOWER TWO



CONDUIT UNDER SECOND TOWER: 25 MM ABOVE GROUND

*51 mm (2 in.) conduit recommended throughout installation.

Hunter strongly recommends placing protective bollards to prevent accidental vehicle impacts on Quick Check Drive DRV-1 sensor towers.

For inspection information visit:
www.hunter.com/vehicle-inspection/

For local contact visit:
<https://www.hunter.com/contact/>

For general inquiries visit:
www.hunter.com or call 800-448-6848

Because of continuing technological advancements, specifications, models and options are subject to change without notice.

Form 7560-T, 09-23 Supersedes Form 7560-T, 06-18j
Copyright © 2018-2023, Hunter Engineering Company